



Evangelical Lutheran Church in America  
1314 E Lexington Blvd • Eau Claire WI 54701-6434  
2021, May Newsletter—Vol. LXVII No. 006

---



## Worship Update!

On Tuesday, May 18, the Eau Claire County Board of Supervisors and City Council voted to repeal the mask mandate that went into effect last March. At the beginning of the pandemic, the Trinity Lutheran Church council decided to wait a minimum of two weeks after any updates from the city and county before any changes were made at church. Currently, the council is gathering further information and will offer up further guidance in the near future. In the meantime, Trinity offers limited in-person worship in our Worship Center in addition to our streaming worship services. Pre-registration for in-person worship is required. You can register for 8:15 A.M. or 9:45 A.M. worship on our web page [trinity-ec.org](http://trinity-ec.org). Details surrounding the safety protocols that will be followed to ensure a safe return to the Worship Center are in place and printed on page 2. By registering for the services, you are committing to following such policies. The protocols for a safe return can also be found on our website along with the registration link.

## Trinity ALL MEMBER Events

This summer, the Children, Youth, and Family Ministry Team is excited to offer faith-based opportunities for people of all ages. It is time to mark your calendars with some fun and awesome events. Registration is required for some events. Please visit Trinity's website for more details.

- **Express Baseball Games at Carson Park:** June 17 and July 6
- **Movie Night (Space Jam) at Trinity:** Friday, June 25
- **Scavenger Bingo at Fairfax Park:** Wednesday, July 14

## Vacation Bible School for ALL MEMBERS of Trinity

Hold onto your mullet. We are taking a totally tubular trip through the early church! We will hear stories from the book of Acts and learn how God's Spirit worked in and through the early believers. Everyone is invited to participate in VBS this year. All are welcome to celebrate! As long as Trinity has your current email address on file, you will receive a daily email that includes a variety of fun activities to do at home. You are also invited to celebrate at our nightly VBS events. We will enjoy a time of fellowship, laughter, and fun. Registration and more information can be found on Trinity's website.

- **Monday:** Food Trucks & Dunk Tank from 4:00 P.M.–7:30 P.M.
- **Tuesday:** Tie-Dye from 4:00 P.M.–7:30 P.M.
- **Wednesday:** Outdoor Worship at 6:00 P.M.
- **Thursday:** Stepping Stones from 4:00 P.M.–7:30 P.M.
- **Friday:** Pool Party from 7:00 P.M.–8:45 P.M.

## Luther Park Ministry Center Dedication

The Dedication for the Luther Park Ministry Center will be on Saturday, June 5. There will be an Open House from 11:00 A.M.–12:00 P.M.; lunch will be from 12:00 P.M.–1:00 P.M.; dedication service at 1:30 P.M. at the Ministry Center. The service will include a message by Bishop Laurie Skow-Anderson, a live painting by Paul Oman, and recognition of pledges and donations. Be sure to wear your camp apparel (no matter what camp)! RSVP by Monday, May 24, for lunch and/or program by email at [info@lutherpark.org](mailto:info@lutherpark.org) or call 715.859.2215.

## Trinity Library Reminder

All books checked out in 2019 and 2020 should be returned to the Trinity Library by leaving them in the designated bin inside Door One, open from 8:00 A.M.–5:00 P.M. weekdays. Thank you.

## Online Giving Makes a Difference

It's SUMMER! We can finally say it. We know that these warmer months take many of you far and wide on weekends. While you might be away, Trinity's ministry and mission continue! If you are not already doing so, we invite you to consider online giving. Thank you for considering supporting Trinity's ongoing mission this summer and this year!



## Notice to all Gardeners

Do you ever find yourself with an excess of vegetables from your garden? Your freezer is full, you have run out of canning jars, and your neighbors lock their door when they see you coming with a box of greens? Instead of tossing these fresh usable vegetables into the compost pile, please consider bringing them to Trinity's Food Pantry for distribution to those that are in need of fresh healthy food choices.



Drop off your produce at Door 5 on Monday, Tuesday, or Thursday mornings throughout the growing season. Our guests thank you!

Trinity Food Pantry distributes over 15,000 pounds of food per month, serving over 400 families.

## Women's Giving Circle

Trinity Lutheran's Women's Giving Circle has been alive and active this past year! We fulfilled three grant requests totaling \$5,400 to groups in our community that help women, children, and families by fostering independence and sustainability.

We are now taking grant requests for 2021 through September 1. Go to the Trinity website [www.trinity-ec.org](http://www.trinity-ec.org) for more information on how to join The Women's Giving Circle and to submit grant requests or call the church office at 715.832.6601.

## Memorials & Gifts

### Friends of Flynn

- In memory of Doug Smith: Dennis & Peggy Larson

### Endowment Trust Fund

- In memory of Carol Anderson: Rose Sippel

### Memorial Fund

- In memory of Arlene Prissel: Jim & Marilyn Bollinger
- In memory of Avis Grambo and Mike Grambo: Norb & Helen Wurtzel

### Trinity Food Pantry

- In memory of Sue Merritt: Steve & Anne Josephson
- In memory of Wally Bruns: Rose Sippel
- In memory of Elayne Peterson: Ron & Marilyn Thompson

### Prayer Shawls

- In memory of Rosemary Wright: Ron & Cindy Beck

### Library

- In memory of Rosemary Wright: Paul & Amber Moltzau

### Preschool Memorials

- In memory of Rachel Studt: Mary Lehner

### Trinity Tollers

- In memory of Rachel Studt: Steve & Anne Josephson

## Protocols/Policies for Sunday Mornings

- By registering for in person worship, you are agreeing to abide by Trinity's Safety Protocols.
- Only Door 3 will be available for entry into the building.
- Door 3 will open for screening of family units 20 minutes prior to each worship service.
- Hands will be sanitized upon entry.
- Masks must be worn over the nose and mouth when being screened and whenever in the building-3 years and up.
- Physical distancing of 6 feet will be maintained outside of household units.
- Ushers will seat family units together with six feet between families.
- The worship leader will be the only person to sing.
- There will be no congregant contact.
- Communion will be celebrated in non-contact ways.
- Ushers will release congregants by pew, and people will immediately exit through Door 2 or Door 3 after the worship service as directed by an usher.
- No congregant food or beverage activity will be permitted.
- The nursery, Rainbow Bags, children's books, and the library will not be available.

## ELCA Women's Conference 2021 Retreat

Please join the women of the Chippewa Valley for the 2021 Retreat at Luther Park Bible Camp in Chetek, WI., on August 18 and 19. The retreat begins on Wednesday at 12:30 P.M. and concludes on Thursday at 3:00 P.M. The cost is \$65 before July 31 or \$70 after August 1 which includes three meals and lodging. Presenters are Cathy Jenson and Deb Gilberston. Registration forms with additional information are available in Trinity's Door 1 entry way.

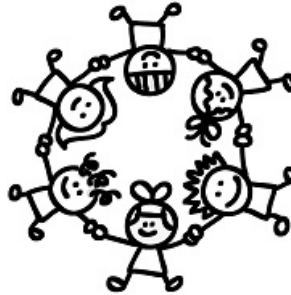


# CHILDREN, YOUTH, <sup>AND</sup> FAMILY MINISTRIES

## Noah's Ark Preschool Registration

Registration for the 2021–2022 school year Noah's Ark Preschool classes continues. Register your children by calling 715.832.6601. Classes include:

- T/Th morning class for three year olds
- M/W/F morning class for 3–5 year olds
- Monday–Thursday afternoon class for 3–5 year olds
- Monday/Wednesday afternoon class for 3–5 year olds. This class has an emphasis on Science, Creative Arts, and Literacy.



For more information about our classes, fees, or to download a brochure, visit our website at <http://www.trinity-ec.org/preschool.phtml>. Contact the Noah's Ark Preschool Director, Marlee Knickerbocker, at 715.832.6601 ext. 205 if you have questions or to register your child.

## Early Childhood Enrichment Classes, Fall 2021

We are currently registering children for our Early Childhood Enrichment classes for one and two year olds in the fall of 2021. The following classes are being offered:

- **Music and Movement:** Children will move and groove as they explore music and movement with song, dance, and instruments. This is a parent/child class for children whose birthdates are between 9.1.2018–3.1.2020.
- **Come and Play:** This is a great precursor to preschool! Children are provided a warm and safe Christian environment to play with other children. Stories, art, and music activities are included. This is a drop-off class for children whose birthdates fall between 9.1.2018 and 5.31.2019.

For more information about the classes, fees, or to download a brochure, visit our website at [http://www.trinity-ec.org/children\\_enrichment.phtml](http://www.trinity-ec.org/children_enrichment.phtml) Please contact Marlee Knickerbocker, Early Childhood Enrichment Coordinator, at 715.832.6601 ext. 205 if you have questions or to register your child.

## Greetings from Noah's Ark Preschool and the ECE Program!

As I write this it is, hard to believe that the 2020–2021 school year finishes up in a few short days. It has been a year filled with changes and yet continued blessings...children who brought delight and wonder into the classroom every day, teachers who loved and cared for each unique and precious child in their care, families who shared their children with Noah's Ark, and God's world which never ceases to amaze us! Friendships were formed. Peacemaking was practiced. Discovery and growth happened every

day. Laughter abounded. A special thank you to our parents who partnered with us in our Covid-19 health and safety protocols to keep our classroom open. Thanks also to our custodians who cleaned diligently and thoroughly every day and our teachers who washed toys every day. With everyone working together, we were able to serve our kids and families this year. We give thanks to God for these blessings and more!

Our days in May brought lots of wonder into our classroom with spring discoveries and miracles. We kept watch over various seeds that we planted and growing caterpillars that went into their chrysalis. We're hopeful that we'll see some butterflies emerge. So many of God's miracles to study!

I would like to thank the congregation for your support for our early childhood programming this school year. Thank you for your participation in our new Noah's Ark fundraisers: the Chipotle fundraiser and the Family Farms Bacon Wrapped Chicken Fundraiser. Thank you for spreading the word about Noah's Ark Preschool. And thank you for your prayers for our children, families, and teachers. We are all a team in this ministry through Trinity.

In peace,  
Marlee Knickerbocker

## Children, Youth, and Family Summer Opportunities!

Trinity is excited to offer faith based opportunities this summer for all ages! Mark your calendars! Registration is open and available online. Please visit our website [trinity-ec.org](http://trinity-ec.org) for more program details.

### Children Only Events

- **Camp Come and Play** at Noah's Ark Preschool: June 7, 9, 14, and 16
- **Water Games** at Trinity: Wednesday, June 9
- **Outdoor Game Day** at Trinity: Monday, July 12
- **Light the Fire Campfire** at Trinity: Thursday, July 22
- **Luther Park Day Camp:** Wednesday, June 23



- **Luther Park Bible Camp: June 27–July 2** or sign-up for a week that works for you!

#### Family Opportunities

- **Playtime in the Park:** Mondays, June 7 (Owen Park), June 21 (Rod & Gun Park), July 5 (Oakwood Hills Park), and July 19 (Irvine Park Playground)
- **Express Baseball Games** at Carson Park: June 17 and July 6
- **Movie Night** (Space Jam) at Trinity: Friday, June 25
- **Scavenger Bingo** at Fairfax Park: Wednesday, July 14
- **VBS** at Trinity: July 26–30

#### Luther Park Events

- **Christ Jam:** Saturday, August 14
- **Luther Park Day Camp:** June 23
- **Luther Park Bible Camp:** June 27–July 2

### Vacation Bible School for ALL MEMBERS of Trinity

Hold onto your mullet. We are taking a totally tubular trip through the early church! We will hear stories from the book of Acts and learn how God's Spirit worked in and through the early believers. Everyone is invited to participate in VBS this year. All are welcome to celebrate! As long as Trinity has your current email address on file, you will receive a daily email that includes a variety of fun activities to do at home. You are also invited to celebrate at our nightly VBS events. We will enjoy a time of fellowship, laughter, and fun. Registration and more information on each nightly activity can be found on Trinity's website.

- **Monday:** Food Trucks & Dunk Tank from 4:00 P.M.–7:30 P.M.
- **Tuesday:** Tie-Dye from 4:00 P.M.–7:30 P.M.
- **Wednesday:** Outdoor Worship at 6:00 P.M.
- **Thursday:** Stepping Stones from 4:00 P.M.–7:30 P.M.
- **Friday:** Pool Party from 7:00 P.M.–8:45 P.M.

### Milestone Celebration

On Sunday, May 2, the following 5<sup>th</sup> grade students were recognized during worship as they celebrated their completion of Children's Ministries and transition into Confirmation next year: Tenley Anderson, Isabella Barron, Emma Blade, Easton Borsheim, Macy Bowman, Elynn Brisiel, Ilana Buske, Henry Butler, Evan Casto, Ruby Cooper, Vivienne Dahlstrom, Sawyer Dimock, Kaia Durnick, Isak Fedie, Maija Fibeger, Felicity Gunderson, Emily Halfen, Emersen Hansen, Teddy Hassemmer, Elizabeth Huson, Anoushka Jacob, Logan Johnson, Evan Lande, Riley Larson, Zakary Larson, Neal Liddell, Aydan Lodahl, Rylan Lutteke, Claire Marcks, Addison Martin-Stack, Isabelle Odegard, Elle Rueber, Madison Sax, Quinton Schley, Zachary Stai, Abigail Strayer, Bianca Tomesh, Katelyn Toutant, Aiden-Liam Ulberg.



## Youth Ministries

### Youth Make Affirmation of Faith

Over the past three years, 33 of Trinity's youth have been studying, learning, serving, worshipping, and having a whole lot of fun doing it all together. On Sunday, May 23, the following amazing youth publically affirmed their baptism during worship: Brady Amble, Zachary Balts, Brooke Berg, Christa Berg, Evan Birkholz, Bailey Bruyere, Paige Bunkelman, Aeryn Crisp, Alex Crisp, Levi Day, Mikayla Freeman, Jack Glaser, Ella Gunderson, Owen Hansen, Elliott Heit, Mason Hoepner, Riley Lambeseder, Ingrid Lavoll, Molly Lindahl, Dixon Mastin, Lucas McIntyre, Britta Meyer, Riley Miller, Carly Mohr, Sydney Monson, Ryan Owens, Grant Patenaude, Katie Rassbach, Scarlet Richards, Noah Schroeder, Gerald Stai, Elizabeth Wiley, and Emma Winkler. We are proud of these incredible youth and excited to see how they continue to grow and positively impact the world around them.

### High School Graduates

On Sunday, May 2, we recognized students who will graduate from High School this year. We wish you grace and peace in your new adventure. Go knowing God goes with you into the future!

### Youth Only Events For the Summer

- **Water Games** at Trinity: Wednesday, June 9
- **Light the Fire Middle School Campfire** at Trinity: Tuesday, July 20
- **Light the Fire High School Campfire** at Trinity: Sunday, July 18
- **Christ Jam Middle School Youth Gathering** at Luther Park Bible Camp: Saturday, August 14
- **Luther Park Bible Camp:** June 27–July 2 or sign-up for a week that works for you!





## Care & Concern

### Health Ministries

As I was looking for topics for June, I realized that it has been a long time since I've written anything on the importance of fathers/father figures in our lives. June 20 is Father's Day, and the week prior to that is National Men's Health Week. (We want you Dad's as healthy as you can be!)

There are many Bible verses referencing fathers and their role in our lives. We pray "Our Father who art in Heaven." What image comes to mind when you pray that in the Lord's Prayer? What do you see and feel?

As I was gathering information on Bible verses on fathers, this verse called to me, Proverbs 4:11-12: "I will guide you in the way of wisdom, and I will lead you in upright paths. When you walk, your steps will not be hampered, and when you run, you will not stumble."

When I actually opened my Bible to Proverbs 4, I found the whole chapter is parental advice, and verse one starts "Listen, children, to a father's instruction, and be attentive, that you may gain insight." The verses that follow are filled with wisdom.

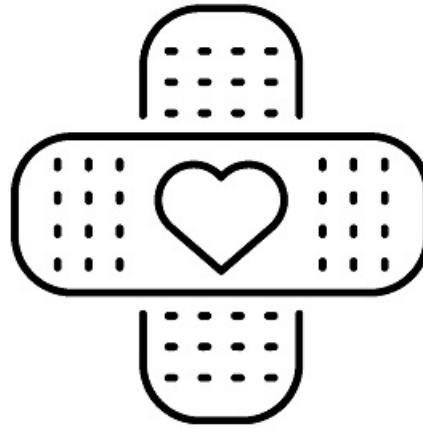
- Fathers play a role in every child's life that cannot be filled by others. This role can have a large impact on a child and help shape him or her into the person they become.
- Fathers, like mothers, are pillars in the development of a child's emotional well-being. Children look to their fathers to provide a feeling of security, both physical and emotional. Children want to make their fathers proud, and an involved father promotes inner growth and strength. Studies have shown that when fathers are affectionate and supportive, it greatly affects a child's cognitive and social development. It also instills an overall sense of well-being and self-confidence.
- Fathers not only influence who we are inside, but how we have relationships with people as we grow. The way a father treats his child will influence what he or she looks for in other people. The patterns a father sets in the relationships with his children will influence how his children relate with other people.

Studies have linked positive fatherhood involvement with:

- Lowered levels of disruptive behavior, acting out, depression, and telling lies;
- Obeying parents, being kind to others, and being responsible;
- Fewer behavioral problems in young boys; and
- Girls being happier, more confident, and willing to try new things.

So to all those men who are fathers, step-fathers, or father-figures in someone's life, we wish you a Happy Father's Day and say thank you for all you do. You are loved!

Vicki Dueringer R.N.  
Parish Nurse



### Blood Drive

Sign up at [redcrossblood.org](http://redcrossblood.org) for our Red Cross Blood Drive being held on Thursday, June 24, from 12:30 P.M.–6:30 P.M. Trinity is hosting blood drives every other month this year to help out during the pandemic. Please note that the Red Cross is following FDA blood donation eligibility guidance for those who receive a COVID-19 vaccination. If you receive a vaccine, knowing the name of the manufacturer (e.g. Pfizer, Moderna or Johnson and Johnson) is important in determining your eligibility. In most cases, there's no deferral time if you receive a vaccine.

### Thank You from Friends of Flynn

With the support of our generous congregation, Trinity's Friends of Flynn Committee helps meet several of the needs of the students at Flynn Elementary School. We purchase, pack, and deliver healthy snacks at the beginning, end, and testing week of the school year and provide weekend meals to several students throughout the year. In addition to providing some school supplies, we also provide clothing; including underwear, socks, pants, snow pants, shoes, and winter boots. The clothing and footwear are for use as needed at school or to fill the general need of the child. Twice each year, every student is given a new book to keep (end of year books were distributed the week of May 24), and the teachers and staff are given an "appreciation" treat. The students, teachers, and staff at Flynn appreciate the support that Trinity provides. Thank you to the many members who support this group with their contributions of time and money. While April is our designated annual fundraising month, contributions to this ministry are accepted and greatly appreciated any time throughout the year.



# JONAH

Greetings Trinity Members,

This year many heavy things have been on our hearts. But these things have also been an opportunity to see and be the lightness and love of God - that our faith calls us to look out for each other, especially those who are struggling or mistreated.

Though these tasks can be done one person at a time, the impact of God's love can be greater when we work together. Trinity has always had a commitment to working together to share God's light.

A couple of months ago, the Trinity Church Council voted to become a member of JONAH—Joining Our Neighbors, Advancing Hope.

JONAH is a non-profit comprised of member congregations who stand together against injustice in our community. Though the practices of these faith traditions may not all look the same, the faith values of each compel us to be kind, stand up to injustice, get to know our neighbors, and work together.

JONAH uses grassroots organizing—people who feel passionate about making a difference on justice issues right here in our community finding others who feel the same and coming together in relationship. Everyone has a part to play, and it is through talking together we make a difference.

JONAH leaders and volunteers collaborate to address the root causes of injustice that they personally care about and have been impacted by. Currently, JONAH works to ensure that local adult/child poverty is eradicated; immigrant families feel safe, welcome, and able to navigate their community; our criminal justice system works to restore people; the transit system is accessible to those who need it; we uphold the rights of nature; and we assist with antiracist education. JONAH also connects to similar groups state and nation-wide.

As a congregation member, Trinity has two seats on the board of directors to help guide how JONAH runs. Martha Klasen Ranek has eagerly volunteered for one of those slots, and Trinity is seeking others who want to help fill that need. The board meets every other month, and these board members help share JONAH information with Trinity. In exchange, Trinity has support available through JONAH tools to increase mission impact and learn more about issues.



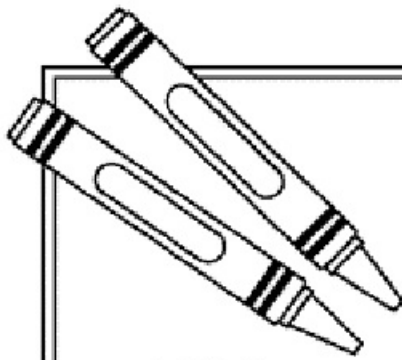
Beyond these board members, any member of Trinity is welcome to volunteer for JONAH's activities or join one of their task forces. Perhaps this year stirred in you a desire to make a difference - part of JONAH's mission is to provide hope that change is possible together.

I am JONAH's organizer—their only permanent paid staff person. It is my job to meet with people who are concerned, connect people with common interests, and help make sure JONAH has all it needs to keep moving forward. Feel free to reach out to me and let's talk more! My email is [cvjonahorganizer@gmail.com](mailto:cvjonahorganizer@gmail.com). You can also see more at their website: [www.jonahjustice.org](http://www.jonahjustice.org).

I am proud Trinity wants to stand beside its community and other faith traditions and let God lead justice work. Trinity joins five other current ELCA churches that are part of JONAH: Immanuel Lutheran, Grace Lutheran, Lutheran Church of the Good Shepherd, St John's Lutheran, and Spirit Lutheran, along with Temple Sholom, Eau Claire Friends, Hope United Methodist, Unitarian Universalist, Unity of Eau Claire, First Congregational United Church of Christ, First Presbyterian, and the Catholic Deanery.

If you are interested in filling a board slot (there is room for alternates), please let Pastor Patrick know. Feel free to reach out to me with any questions. I hope you will join me in celebrating Trinity's decision to collaborate toward peace in our community, build relationships with those different than us, and put our faith values into action.

God's Peace,  
Lynn Buske



Just for **KIDS**

## Who were Jesus' friends?

Jesus spent a lot of time with his friends.  
Whom did Jesus consider his friends?

Beginning at the arrow and moving clockwise,  
write every other letter on the spaces below.

Y  
-----  
-----  
-----  
-----.

John 15:14

# "Serving in Christ's Love and Sharing the Good News"

A Reconciling in Christ Congregation of the Evangelical Lutheran Church in America

Trinity Lutheran Church, 1314 East Lexington Blvd, Eau Claire WI 54701

Phone: (715) 832.6601 • Fax: (715) 832.6700 • Web Page: trinity-ec.org

## Pastors

Patrick Patterson      patrick@trinity-ec.org  
507.779.4991  
Tom Westcott      tomw@trinity-ec.org  
612.481.0810

## Children, Youth, and Family Ministry

Sara Reed      sarar@trinity-ec.org  
Children's Ministry Director  
Heather Day      heatherd@trinity-ec.org  
Children, Youth, and Family Ministry Assistant; Young  
Adult Ministry Coordinator  
Ashley Olson      ashley@trinity-ec.org  
Youth Ministry Director  
Marlee Knickerbocker      marlee@trinity-ec.org  
Noah's Ark Director; Early Childhood Enrichment  
Coordinator, Noah's Ark Teacher  
Jill Kasmarek      jill@trinity-ec.org  
Noah's Ark Teacher  
Cassie Brenden      cassie@trinity-ec.org  
Noah's Ark Teacher

## Care & Concern Ministry

Vicki Dueringer      vickid@trinity-ec.org  
Parish Nurse  
Pat Garber      garberpa@uwec.edu  
Visitation Ministry Director  
Sue Marczinke      sue@trinity-ec.org  
Food Pantry Coordinator

## Worship & Music Ministry

Dr. Frank Watkins      frank@trinity-ec.org  
Worship & Music Director  
Brian Pressler—Organist      brian@trinity-ec.org  
Gary Rambo—Trinity Choir  
Ryan Poquette—Trinity Tollers  
Andy Hofer—CrossWord Youth Band  
Jeanne Cooper—God's Little Singers  
jeanne@trinity-ec.org  
Corinne Gransee Paral—Jesus And Me, Totally Joyous  
Christians      corinne@trinity-ec.org

## Building & Grounds Team

Don Peterson  
Sheri Peterson

## Ministry Support

Amber Moltzau      amber@trinity-ec.org  
Office Administrator  
Cindy Beck      cindy@trinity-ec.org  
IT/Ministry Assistant

## World Missions

Jabneh Christian Academy, Grange Hill, Jamaica  
Blantyre Lutheran Parish, Malawi, Africa  
Jacqueline & Patrick Bencke, Japan

- 
- Please submit all articles for the Tidings **electronically** in MS Word, Corel WP format, or in the body of an email. Submit to: cindy@trinity-ec.org
  - All submissions must be your own work. Any copyrighted material (code, images, or otherwise) must include written permission from the original source.
  - Deadline for the July Newsletter is June 15.